



MUD DAUBER FITTINGS

8250 Boyle Parkway Twinsburg, Ohio U.S.A. 44087 www.mySSPusa.com 1.330.425.4250

Now With
Tube Ends!



FEATURES

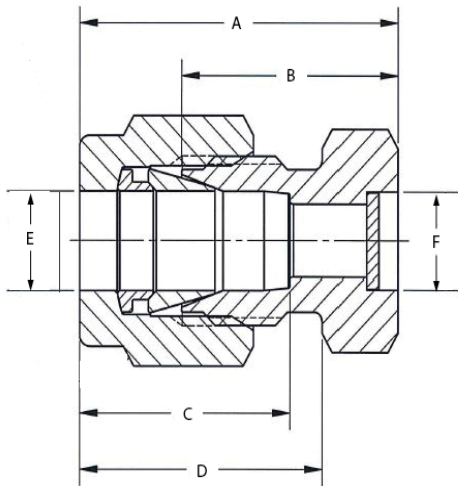
- Heavy-duty stainless steel screen element
- Available with Duolok, Griplok, Unilok tube fitting, and TruFit NPT pipe fitting end connections
- 1/4, 3/8, and 1/2 in. tube fitting or pipe fitting sizes

BENEFITS

- Prevents wasps, insects, and other creatures from infiltrating, clogging, and damaging systems.

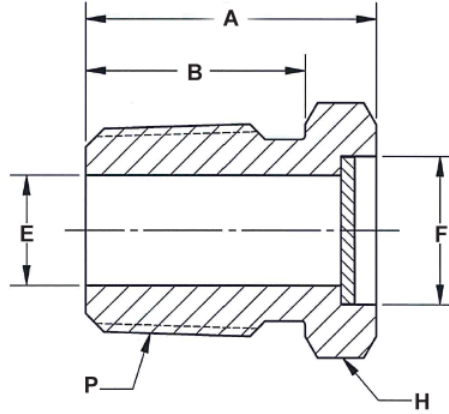
APPLICATIONS

- Vents
- Blow-down tubes



ORDERING INFORMATION: TUBE FITTING

	Brand	Size	Part Number	Dimensions											
				A		B		C		D		E		F	
				in.	mm	in.	mm	in.	mm	in.	mm	in.	mm	in.	mm
Stainless Steel Mud Dauber Tube Fitting	Duolok	1/4 in.	ISSD4MD	0.91	23.1	0.62	15.7	0.60	15.2	0.70	17.8	0.25	6.35	0.25	6.35
		3/8 in.	ISSD6MD	1.01	25.7	0.72	18.3	0.66	16.8	0.76	19.3	0.38	9.65	0.38	9.65
		1/2 in.	ISSD8MD	1.20	30.5	0.81	20.5	0.86	21.8	0.90	22.9	0.50	12.7	0.50	12.7
	Unilok	1/4 in.	ISSU4MD	0.91	23.1	0.62	15.7	0.60	15.2	0.70	17.8	0.25	6.35	0.25	6.35
		3/8 in.	ISSU6MD	1.01	25.7	0.72	18.3	0.66	16.8	0.76	19.3	0.38	9.65	0.38	9.65
		1/2 in.	ISSU8MD	1.20	30.5	0.81	20.5	0.86	21.8	0.90	22.9	0.50	12.7	0.50	12.7
	Griplok	1/4 in.	ISSG4MD	0.91	23.1	0.62	15.7	0.60	15.2	0.70	17.8	0.25	6.35	0.25	6.35
		3/8 in.	ISSG6MD	1.01	25.7	0.72	18.3	0.66	16.8	0.76	19.3	0.38	9.65	0.38	9.65
		1/2 in.	ISSG8MD	1.20	30.5	0.81	20.5	0.86	21.8	0.90	22.9	0.50	12.7	0.50	12.7



ORDERING INFORMATION: NPT PIPE FITTING

	Brand	Size	Part Number	Dimensions									
				P-NPT Male Pipe	A		B		E		F		H Hex
				in.	in.	mm	in.	mm	in.	mm	in.	mm	in.
Stainless Steel Mud Dauber NPT Pipe Fitting	TruFit	1/4 in.	ISST4MD	1/4-18	0.74	18.8	0.56	14.2	0.28	7.11	0.38	9.65	9/16
		3/8 in.	ISST6MD	3/8-18	0.78	19.8	0.56	14.2	0.38	9.65	0.50	12.7	11/16
		1/2 in.	ISST8MD	1/2-14	0.96	24.4	0.75	19.1	0.47	11.9	0.69	17.5	7/8

Please consider total system design considerations when selecting products to ensure safe, trouble-free performance. Function, material compatibility, adequate ratings, proper installation, operation, and maintenance are the responsibilities of the system designer and user.

Duolok®, Unilok®, Griplok® and TruFit® are registered trademarks of SSP.

Visit www.mysspusa.com for the controlled version of data.

